

# HDTD

## ŞAFT DUMAN TAHLİYE DAMPERİ Smoke Evacuation Damper

### TANIM

- **HDTD-D:** Şaft Duman Tahliye Damperi (Duvara Montaj)
- **HDTD-K:** Şaft Duman Tahliye Damperi (Kanal Montaj)

### MALZEME

1,5 mm Galvaniz Dış Kasa, Kanatlar Alüminyum Profilden Veya Galvanizden İmal, Mekanizma ve Mil Çelik, Kanat Yatakları Pirinç Malzemeden, Paralel Kanat Mekanizmalı, Motor Kumandaya Uygun, 20\*20 Tel Kafesli olarak imal edilmektedir.

### UYGULAMA

HDTD-D Şaft duman damperleri Yangın esnasında oluşan dumanın ve zehirli gazların kontrollü olarak tahliyesi amacı ile kullanılır. Bina içerisinde Yangın ve duman şaftlarına Montaj edilir. Normalde kapalı konumda olan kanatlar yangın anında açılarak duman ve zehirli gazların tahliyesini sağlar. Katlı binalarda her bir katın yangın şaftın da bulunan HDTD-D şaft duman damperleri yangının olduğu bölümde açık, diğer katlarda da kapalı konumdadır. Böylece duman tahliyesi yapılan mahalden diğer mahallere duman geçişi engellenmiş olur.

### MONTAJ

- Hava kanalına montajı civata-somun ve kanal klipsi vasıtasıyla
- Beton yuvaya montajı özel kasa yapısı sayesinde kutu profille birlikte vidayla

### AKSESUARLAR

- **TK:** 20x20 mm galvanizli tel kafes
- **HLM:** HDTD-D tipi için lineer menfez

### DESCRIPTION

- **HDTD-D:** Smoke Evacuation Damper (Assembly to Concrete Slot)
- **HDTD-K:** Smoke Evacuation Damper (Assembly to Air Duct)

### MATERIAL

1.5 mms galvanized external casing, blades from aluminium profile or galvanized sheet metal, mechanism and shaft from steel, blade channels from brass parallel blades have mechanism, suitable for motor control, with 20\*20 wire mesh.

### APPLICATION

HDTD-D Shaft Smoke Dampers are used to evacuate smoke and poisonous gases formed by fire in a controlled manner. They are installed in fire and smoke shafts of buildings. The blades are normally closed and open when a fire occurs and ensures evacuation of smoke and poisonous gases. In multi-storey buildings the HDTD-D shaft smoke dampers on every floor are open on the floor where the fire has occurred and are closed at other floors. Thus passage of smoke to unaffected floors is prevented.

### ASSEMBLY

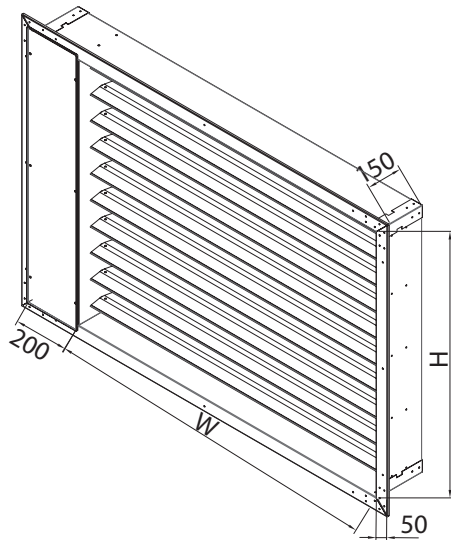
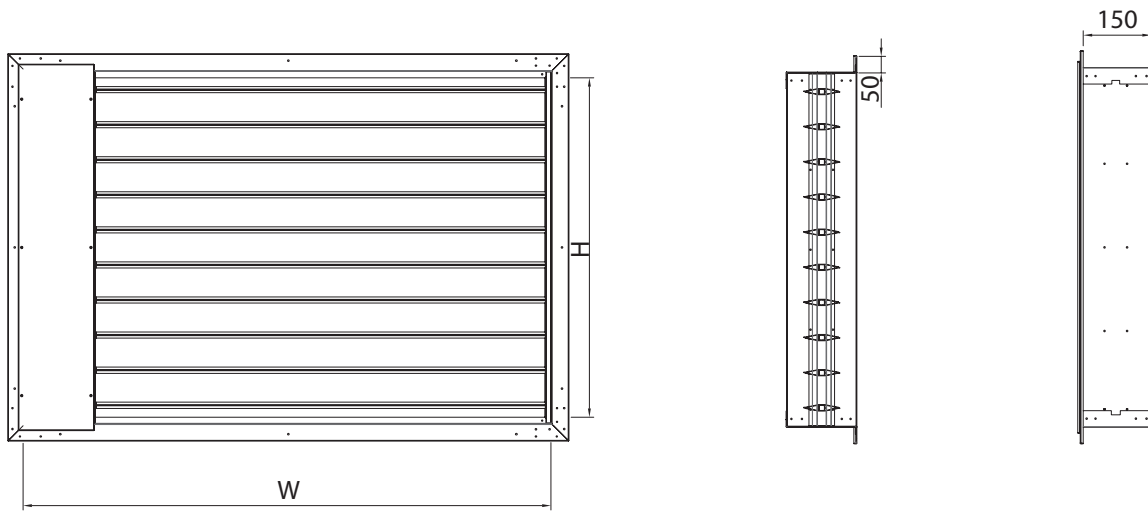
- Assembly to air duct with bolt-nut and clamps.
- Assembly to concrete slot with special casing design can be installed with screws to box profile.

### ACCESSORIES

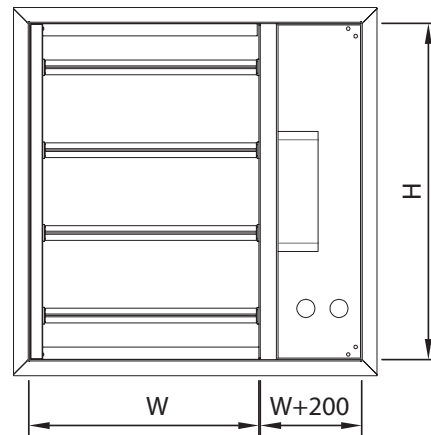
- **TK:** 20x20 mm galvanized wire mesh
- **HLM:** Linear grille for type HDTD-D



**DUMAN TAHLİYE DAMPERİ ÖLÇÜLERİ ve EFEKTİF ALANLARI**  
*SMOKE EVACUATION DAMPER DIMENSIONS and EFFECTIVE AREAS*



Koridor Şaft Duman Damperi



# HDTD

## ŞAFT DUMAN TAHLİYE DAMPERİ Smoke Evacuation Damper

### HDTD-D Efektif Alan (Effective Area)

Aeff (m <sup>2</sup> )		HDTD-D																						
		W (mm)																						
		300	400	500	600	700	800	900	1000	1100	1200	1300	1400	1500	1600	1700	1800	1900	2000	2200	2400	2600	2800	3000
H (mm)	300	0.02	0.05	0.07	0.10	0.12	0.14	0.17	0.19	0.22	0.24	0.26	0.29	0.31	0.34	0.36	0.38	0.41	0.43	0.48	0.53	0.58	0.62	0.67
	400	0.03	0.06	0.10	0.13	0.16	0.19	0.22	0.26	0.29	0.32	0.35	0.38	0.42	0.45	0.48	0.51	0.54	0.58	0.64	0.70	0.77	0.83	0.90
	500	0.04	0.08	0.12	0.16	0.20	0.24	0.28	0.32	0.36	0.40	0.44	0.48	0.52	0.56	0.60	0.64	0.68	0.72	0.80	0.88	0.96	1.04	1.12
	600	0.05	0.10	0.14	0.19	0.24	0.29	0.34	0.38	0.43	0.48	0.53	0.58	0.62	0.67	0.72	0.77	0.82	0.86	0.96	1.06	1.15	1.25	1.34
	700	0.06	0.11	0.17	0.22	0.28	0.34	0.39	0.45	0.50	0.56	0.62	0.67	0.73	0.78	0.84	0.90	0.95	1.01	1.12	1.23	1.34	1.46	1.57
	800	0.06	0.13	0.19	0.26	0.32	0.38	0.45	0.51	0.58	0.64	0.70	0.77	0.83	0.90	0.96	1.02	1.09	1.15	1.28	1.41	1.54	1.66	1.79
	900	0.07	0.14	0.22	0.29	0.36	0.43	0.50	0.58	0.65	0.72	0.79	0.86	0.94	1.01	1.08	1.15	1.22	1.30	1.44	1.58	1.73	1.87	2.02
	1000	0.08	0.16	0.24	0.32	0.40	0.48	0.56	0.64	0.72	0.80	0.88	0.96	1.04	1.12	1.20	1.28	1.36	1.44	1.60	1.76	1.92	2.08	2.24
	1100	0.09	0.18	0.26	0.35	0.44	0.53	0.62	0.70	0.79	0.88	0.97	1.06	1.14	1.23	1.32	1.41	1.50	1.58	1.76	1.94	2.11	2.29	2.46
	1200	0.10	0.19	0.29	0.38	0.48	0.58	0.67	0.77	0.86	0.96	1.06	1.15	1.25	1.34	1.44	1.54	1.63	1.73	1.92	2.11	2.30	2.50	2.69
	1300	0.10	0.21	0.31	0.42	0.52	0.62	0.73	0.83	0.94	1.04	1.14	1.25	1.35	1.46	1.56	1.66	1.77	1.87	2.08	2.29	2.50	2.70	2.91
	1400	0.11	0.22	0.34	0.45	0.56	0.67	0.78	0.90	1.01	1.12	1.23	1.34	1.46	1.57	1.68	1.79	1.90	2.02	2.24	2.46	2.69	2.91	3.14
	1500	0.12	0.24	0.36	0.48	0.60	0.72	0.84	0.96	1.08	1.20	1.32	1.44	1.56	1.68	1.80	1.92	2.04	2.16	2.40	2.64	2.88	3.12	3.36
	1600	0.13	0.26	0.38	0.51	0.64	0.77	0.90	1.02	1.15	1.28	1.41	1.54	1.66	1.79	1.92	2.05	2.18	2.30	2.56	2.82	3.07	3.33	3.58
	1700	0.14	0.27	0.41	0.54	0.68	0.82	0.95	1.09	1.22	1.36	1.50	1.63	1.77	1.90	2.04	2.18	2.31	2.45	2.72	2.99	3.26	3.54	3.81
	1800	0.14	0.29	0.43	0.58	0.72	0.86	1.01	1.15	1.30	1.44	1.58	1.73	1.87	2.02	2.16	2.30	2.45	2.59	2.88	3.17	3.46	3.74	4.03
	1900	0.15	0.30	0.46	0.61	0.76	0.91	1.06	1.22	1.37	1.52	1.67	1.82	1.98	2.13	2.28	2.43	2.58	2.74	3.04	3.34	3.65	3.95	4.26
	2000	0.16	0.32	0.48	0.64	0.80	0.96	1.12	1.28	1.44	1.60	1.76	1.92	2.08	2.24	2.40	2.56	2.72	2.88	3.20	3.52	3.84	4.16	4.48
	2200	0.18	0.35	0.53	0.70	0.88	1.06	1.23	1.41	1.58	1.76	1.94	2.11	2.29	2.46	2.64	2.82	2.99	3.17	3.52	3.87	4.22	4.58	4.93
	2400	0.19	0.38	0.58	0.77	0.96	1.15	1.34	1.54	1.73	1.92	2.11	2.30	2.50	2.69	2.88	3.07	3.26	3.46	3.84	4.22	4.61	4.99	5.38
2600	0.21	0.42	0.62	0.83	1.04	1.25	1.46	1.66	1.87	2.08	2.29	2.50	2.70	2.91	3.12	3.33	3.54	3.74	4.16	4.58	4.99	5.41	5.82	
2800	0.22	0.45	0.67	0.90	1.12	1.34	1.57	1.79	2.02	2.24	2.46	2.69	2.91	3.14	3.36	3.58	3.81	4.03	4.48	4.93	5.38	5.82	6.27	
3000	0.24	0.48	0.72	0.96	1.20	1.44	1.68	1.92	2.16	2.40	2.64	2.88	3.12	3.36	3.60	3.84	4.08	4.32	4.80	5.28	5.76	6.24	6.72	

## HDTD-K Efektif Alan (Effective Area)

Aeff (m<sup>2</sup>): Efektif alan  
W (mm): Duman tahliye damperi genişliği  
H (mm): Duman tahliye damperi yüksekliği

Effective area  
Smoke evacuation damper width  
Smoke evacuation damper height

HDTD-K																								
Aeff (m <sup>2</sup> )		W (mm)																						
		300	400	500	600	700	800	900	1000	1100	1200	1300	1400	1500	1600	1700	1800	1900	2000	2200	2400	2600	2800	3000
H (mm)	300	0.07	0.10	0.12	0.14	0.17	0.19	0.22	0.24	0.26	0.29	0.31	0.34	0.36	0.38	0.36	0.38	0.41	0.43	0.48	0.53	0.58	0.62	0.67
	400	0.10	0.13	0.16	0.19	0.22	0.26	0.29	0.32	0.35	0.38	0.42	0.45	0.48	0.51	0.48	0.51	0.54	0.58	0.64	0.70	0.77	0.83	0.90
	500	0.12	0.16	0.20	0.24	0.28	0.32	0.36	0.40	0.44	0.48	0.52	0.56	0.60	0.64	0.60	0.64	0.68	0.72	0.80	0.88	0.96	1.04	1.12
	600	0.14	0.19	0.24	0.29	0.34	0.38	0.43	0.48	0.53	0.58	0.62	0.67	0.72	0.77	0.72	0.77	0.82	0.86	0.96	1.06	1.15	1.25	1.34
	700	0.17	0.22	0.28	0.34	0.39	0.45	0.50	0.56	0.62	0.67	0.73	0.78	0.84	0.90	0.84	0.90	0.95	1.01	1.12	1.23	1.34	1.46	1.57
	800	0.19	0.26	0.32	0.38	0.45	0.51	0.58	0.64	0.70	0.77	0.83	0.90	0.96	1.02	0.96	1.02	1.09	1.15	1.28	1.41	1.54	1.66	1.79
	900	0.22	0.29	0.36	0.43	0.50	0.58	0.65	0.72	0.79	0.86	0.94	1.01	1.08	1.15	1.08	1.15	1.22	1.30	1.44	1.58	1.73	1.87	2.02
	1000	0.24	0.32	0.40	0.48	0.56	0.64	0.72	0.80	0.88	0.96	1.04	1.12	1.20	1.28	1.20	1.28	1.36	1.44	1.60	1.76	1.92	2.08	2.24
	1100	0.26	0.35	0.44	0.53	0.62	0.70	0.79	0.88	0.97	1.06	1.14	1.23	1.32	1.41	1.32	1.41	1.50	1.58	1.76	1.94	2.11	2.29	2.46
	1200	0.29	0.38	0.48	0.58	0.67	0.77	0.86	0.96	1.06	1.15	1.25	1.34	1.44	1.54	1.44	1.54	1.63	1.73	1.92	2.11	2.30	2.50	2.69
	1300	0.31	0.42	0.52	0.62	0.73	0.83	0.94	1.04	1.14	1.25	1.35	1.46	1.56	1.66	1.56	1.66	1.77	1.87	2.08	2.29	2.50	2.70	2.91
	1400	0.34	0.45	0.56	0.67	0.78	0.90	1.01	1.12	1.23	1.34	1.46	1.57	1.68	1.79	1.68	1.79	1.90	2.02	2.24	2.46	2.69	2.91	3.14
	1500	0.36	0.48	0.60	0.72	0.84	0.96	1.08	1.20	1.32	1.44	1.56	1.68	1.80	1.92	1.80	1.92	2.04	2.16	2.40	2.64	2.88	3.12	3.36
	1600	0.38	0.51	0.64	0.77	0.90	1.02	1.15	1.28	1.41	1.54	1.66	1.79	1.92	2.05	1.92	2.05	2.18	2.30	2.56	2.82	3.07	3.33	3.58
	1700	0.41	0.54	0.68	0.82	0.95	1.09	1.22	1.36	1.50	1.63	1.77	1.90	2.04	2.18	2.04	2.18	2.31	2.45	2.72	2.99	3.26	3.54	3.81
	1800	0.43	0.58	0.72	0.86	1.01	1.15	1.30	1.44	1.58	1.73	1.87	2.02	2.16	2.30	2.16	2.30	2.45	2.59	2.88	3.17	3.46	3.74	4.03
	1900	0.46	0.61	0.76	0.91	1.06	1.22	1.37	1.52	1.67	1.82	1.98	2.13	2.28	2.43	2.28	2.43	2.58	2.74	3.04	3.34	3.65	3.95	4.26
	2000	0.48	0.64	0.80	0.96	1.12	1.28	1.44	1.60	1.76	1.92	2.08	2.24	2.40	2.56	2.40	2.56	2.72	2.88	3.20	3.52	3.84	4.16	4.48
	2200	0.53	0.70	0.88	1.06	1.23	1.41	1.58	1.76	1.94	2.11	2.29	2.46	2.64	2.82	2.64	2.82	2.99	3.17	3.52	3.87	4.22	4.58	4.93
	2400	0.58	0.77	0.96	1.15	1.34	1.54	1.73	1.92	2.11	2.30	2.50	2.69	2.88	3.07	2.88	3.07	3.26	3.46	3.84	4.22	4.61	4.99	5.38
2600	0.62	0.83	1.04	1.25	1.46	1.66	1.87	2.08	2.29	2.50	2.70	2.91	3.12	3.33	3.12	3.33	3.54	3.74	4.16	4.58	4.99	5.41	5.82	
2800	0.67	0.90	1.12	1.34	1.57	1.79	2.02	2.24	2.46	2.69	2.91	3.14	3.36	3.58	3.36	3.58	3.81	4.03	4.48	4.93	5.38	5.82	6.27	
3000	0.72	0.96	1.20	1.44	1.68	1.92	2.16	2.40	2.64	2.88	3.12	3.36	3.60	3.84	3.60	3.84	4.08	4.32	4.80	5.28	5.76	6.24	6.72	