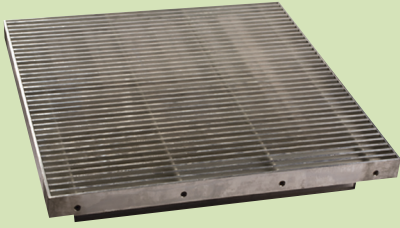


HYLM

YER LİNEER MENFEZİ

Linear Floor Grille



TANIM

- **HYLM:** Yer Lineer Menfezi

MALZEME

Ekstrüzyon yöntemiyle üretilmiş alüminyum profilden mamul çerçeve ve kanatlar. Menfez kanatları transmisyon çelik millerle birleştirilmiştir.

UYGULAMA

Yükseltilmiş döşeme uygulaması yapılmış mekanların ısıtma ve soğutma ihtiyacını karşılamak için kullanılan iklimlendirme ekipmanının hava transfer elemanıdır. Lineer menfeze benzetmesine rağmen uygulama alanının farklılığından dolayı mukavemeti çok daha yüksek olup darbelere karşı dayanıklıdır. İsteğe bağlı olarak damper takılarak reglaj yapma imkanı vardır. Yer Lineer menfezlerinin kasa ve kanatları alüminyumdan mamül olup, 1. Sınıf alüminyum profil kullanılmaktadır.

YÜZEY KAPLAMA

- Elektrostatik toz boya (Standart renkler RAL9010 ve RAL9016)
- Alüminyum eloksal
- İsteğe bağlı olarak RAL kodundaki diğer tüm renklerde temin edilmektedir.

ÇERÇEVE TİPLERİ

- 30 mm çerçeve
- 40 mm çerçeve

MONTAJ

- Direkt olarak döşemenin üzerine bırakılır, herhangi bir vida montajına gerek yoktur.

DESCRIPTION

- **HYLM:** Floor Linear Grille

MATERIAL

All of the product frame and blades are manufactured from extruded aluminium profile. Grille blades are connected with transmission steel shaft.

APPLICATION

This is an air transfer component for air conditioning units of premises with raised floors. Although it resembles the linear grille, its different application area means it is more durable and resists impacts. An optional damper can be attached for regulation. Floor linear grilles frames and blades are made from aluminium and only 1st class aluminium profiles are used.

SURFACE COATING

- Electrostatic powder coating (Standard colours are RAL 9010 and RAL 9016)
- Aluminium anodised
- As an option, all the colours in other RAL codes can be provided.

FRAME TYPES

- 30 mm frame
- 40 mm frame

ASSEMBLY

- They are mounted directly on the floor, screw fixing is not needed.

HYLM

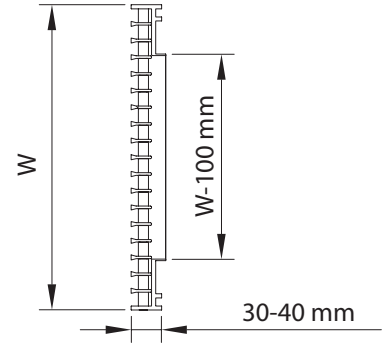
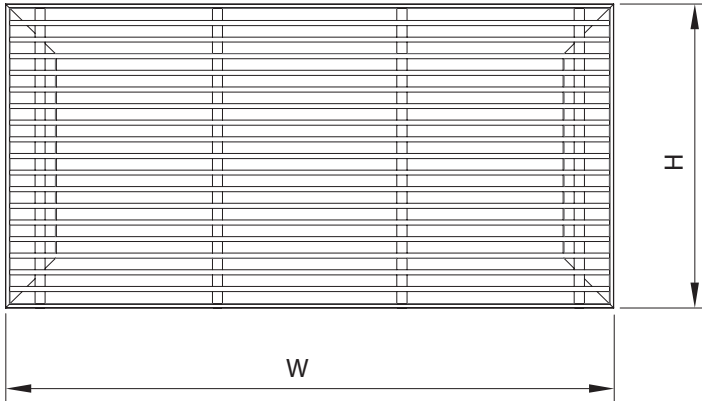
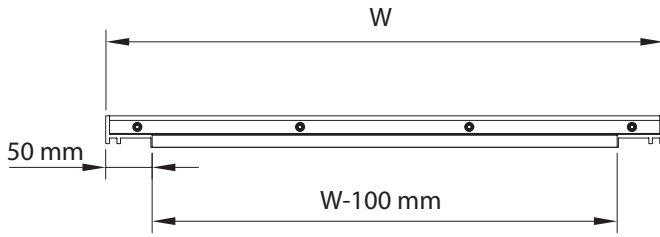
YER LİNEER MENFEZİ

Linear Floor Grille

YER LİNEER MENFEZ ÖLÇÜLERİ ve EFEKTİF ALANLARI
FLOOR LINEAR GRILLE DIMENSIONS and EFFECTIVE AREAS

W: Yer lineer menfez genişliği (mm)
H: Yer lineer menfez yüksekliği (mm)

Floor linear grille width (mm)
Floor linear grille height (mm)



Aeff (m ²)		W (mm)														
		200	250	300	350	400	450	500	550	600	700	800	900	1000	1100	1200
H (mm)	200	0.007	0.011	0.014	0.018	0.022	0.025	0.029	0.032	0.036	0.043	0.051	0.058	0.065	0.072	0.079
	300	0.014	0.022	0.029	0.036	0.043	0.051	0.058	0.065	0.072	0.087	0.101	0.116	0.130	0.144	0.159
	400	0.022	0.032	0.043	0.054	0.065	0.076	0.087	0.097	0.108	0.130	0.152	0.173	0.195	0.217	0.238
	500	0.029	0.043	0.058	0.072	0.087	0.101	0.116	0.130	0.144	0.173	0.202	0.231	0.260	0.289	0.318
	600	0.036	0.054	0.072	0.090	0.108	0.126	0.144	0.162	0.181	0.217	0.253	0.289	0.325	0.361	0.397

HYLM

YER LİNEER MENFEZİ

Linear Floor Grille

YER LİNEER MENFEZİ KOLAY SEÇİM TABLOSU

FLOOR LINEAR GRILLE QUICK SELECTION TABLE

Aeff (m²): Efektif alan

Ueff (m/s): Efektif hız

V (m³/h): Hava debisi

X (m): Atış mesafesi

ΔPt (Pa): Toplam basınç kaybı

SPL (dBA): Ses seviyesi

Effective area

Effective velocity

Air flow rate

Throw distance

Total pressure drop

Sound level

V (m ³ /h)		Aeff (m ²)																				
		0.014	0.022	0.032	0.043	0.051	0.058	0.065	0.072	0.087	0.097	0.108	0.116	0.126	0.144	0.162	0.181	0.217	0.260	0.318	0.397	
200	ueff. (m/s)	4.0	2.5																			
	X (m)	4.2	2.8																			
	ΔPt (Pa)	11	4																			
	SPL (dBA)	15	9																			
250	ueff. (m/s)	5.0	3.2	2.2																		
	X (m)	5.2	3.7	2.7																		
	ΔPt (Pa)	15	10	4																		
	SPL (dBA)	22	15	11																		
300	ueff. (m/s)	6.0	3.8	2.6	1.9																	
	X (m)	6.1	4.1	3.3	2.4																	
	ΔPt (Pa)	20	12	5	4																	
	SPL (dBA)	26	17	13	10																	
350	ueff. (m/s)	6.9	4.4	3.0	2.3																	
	X (m)	7.2	4.9	3.8	3.1																	
	ΔPt (Pa)	29	15	7	5																	
	SPL (dBA)	31	22	15	11																	
400	ueff. (m/s)		5.1	3.5	2.6	2.2																
	X (m)		6.1	4.9	4.2	3.3																
	ΔPt (Pa)		21	9	6	5																
	SPL (dBA)		25	19	15	12																
500	ueff. (m/s)		6.3	4.3	3.2	2.7	2.4	2.1														
	X (m)		6.6	5.5	5.0	4.5	3.9	3.6														
	ΔPt (Pa)		22	14	8	7	6	5														
	SPL (dBA)		28	22	19	17	15	13														
600	ueff. (m/s)			5.2	3.9	3.3	2.9	2.6	2.3	1.9												
	X (m)			6.5	5.5	5.1	4.8	4.5	4.2	3.8												
	ΔPt (Pa)			19	11	8	7	6	5	5												
	SPL (dBA)			27	20	17	16	15	13	12												
700	ueff. (m/s)			6.1	4.5	3.8	3.4	3.0	2.7	2.2												
	X (m)			7.5	6.2	5.8	5.5	5.2	4.9	4.3												
	ΔPt (Pa)			25	13	11	9	8	7	6												
	SPL (dBA)			30	25	20	17	16	14	12												
800	ueff. (m/s)			6.9	5.2	4.4	3.8	3.4	3.1	2.6	2.3	2.1										
	X (m)			8.2	7.3	6.7	6.1	5.8	5.5	5.1	4.7	4.5										
	ΔPt (Pa)			32	18	15	12	9	8	6	5	4										
	SPL (dBA)			33	27	24	22	20	17	14	13	12										
900	ueff. (m/s)				5.8	4.9	4.3	3.8	3.5	2.9	2.6	2.3	2.0									
	X (m)				8.1	7.6	7.1	6.6	6.2	5.6	5.3	5.1	4.9	4.5								
	ΔPt (Pa)				29	19	15	12	10	7	6	6	5	4								
	SPL (dBA)				32	28	25	24	22	17	15	14	13	12								

HYLM

YER LİNEER MENFEZİ

Linear Floor Grille

YER LİNEER MENFEZİ KOLAY SEÇİM TABLOSU
FLOOR LINEAR GRILLE QUICK SELECTION TABLE

V (m ³ /h)		Aeff (m ²)																				
		0.014	0.022	0.032	0.043	0.051	0.058	0.065	0.072	0.087	0.097	0.108	0.116	0.126	0.144	0.162	0.181	0.217	0.260	0.318	0.397	
1000	ueff. (m/s)				6.5	5.4	4.8	4.3	3.9	3.2	2.9	2.6	2.4	2.2								
	X (m)				8.5	8.1	7.7	7.3	6.6	6.2	5.8	5.5	5.0	4.8								
	ΔPt (Pa)				29	20	16	14	11	8	7	5	5	4								
	SPL (dBA)				34	30	28	25	24	20	17	15	13	12								
1200	ueff. (m/s)				6.5	5.7	5.1	4.6	3.8	3.4	3.1	2.9	2.6	2.3	2.1							
	X (m)				8.7	8.3	7.9	7.6	7.2	6.7	6.3	6.0	5.7	5.2	5							
	ΔPt (Pa)				28	23	19	15	10	9	8	7	6	5	4							
	SPL (dBA)				34	32	30	27	24	23	21	17	15	13	12							
1400	ueff. (m/s)					6.7	6.0	5.4	4.5	4.0	3.6	3.4	3.1	2.7	2.4	2.1						
	X (m)					8.9	8.5	8.2	7.8	7.4	7.1	6.8	6.5	6.2	5.8	5.4						
	ΔPt (Pa)					31	25	21	15	12	10	9	8	5	5	4						
	SPL (dBA)					34	33	32	28	25	24	23	20	17	14	13						
1600	ueff. (m/s)						6.8	6.2	5.1	4.6	4.1	3.8	3.5	3.1	2.7	2.5	2.0					
	X (m)						9.1	8.7	8.4	8.1	7.6	7.3	7.0	6.7	6.4	6.1	5.6					
	ΔPt (Pa)						33	27	20	16	13	11	9	7	6	5	4					
	SPL (dBA)						36	34	32	29	27	25	23	21	18	16	13					
1800	ueff. (m/s)							6.9	5.7	5.2	4.6	4.3	4.0	3.5	3.1	2.8	2.3					
	X (m)							9.3	8.9	8.6	8.3	8.0	7.8	7.4	7.0	6.7	6.2					
	ΔPt (Pa)							34	24	19	16	14	12	10	8	7	5					
	SPL (dBA)							37	33	32	30	28	27	24	22	20	16					
2000	ueff. (m/s)								6.4	5.7	5.1	4.8	4.4	3.9	3.4	3.1	2.6	2.1				
	X (m)								9.3	9.1	8.7	8.5	8.2	8.0	7.6	7.2	6.7	6.2				
	ΔPt (Pa)								30	25	21	18	15	12	9	7	6	5				
	SPL (dBA)								35	33	32	31	28	26	23	22	19	17				
2500	ueff. (m/s)										6.4	6.0	5.5	4.8	4.3	3.8	3.2	2.7	2.2			
	X (m)										9.5	9.2	8.9	8.7	8.3	8.1	7.5	6.9	6.4			
	ΔPt (Pa)										30	26	23	17	14	11	9	6	5			
	SPL (dBA)										36	34	32	31	28	26	23	21	17			
3000	ueff. (m/s)												6.6	5.8	5.1	4.6	3.8	3.2	2.6	2.1		
	X (m)												9.7	9.3	9.0	8.7	8.3	7.8	7.3	6.8		
	ΔPt (Pa)												32	25	20	16	12	10	8	7		
	SPL (dBA)												38	35	33	32	28	26	22	19		
4000	ueff. (m/s)															6.1	5.1	4.3	3.5	2.8		
	X (m)															9.5	9.2	8.6	8.2	7.7		
	ΔPt (Pa)															29	24	15	12	9		
	SPL (dBA)															36	34	33	29	24		
5000	ueff. (m/s)																6.4	5.3	4.4	3.5		
	X (m)																9.9	9.4	8.8	8.4		
	ΔPt (Pa)																31	26	18	14		
	SPL (dBA)																37	35	33	30		